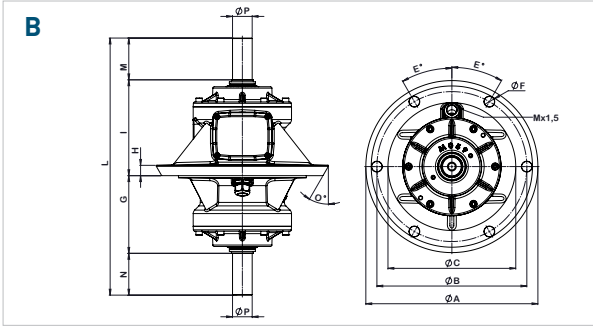
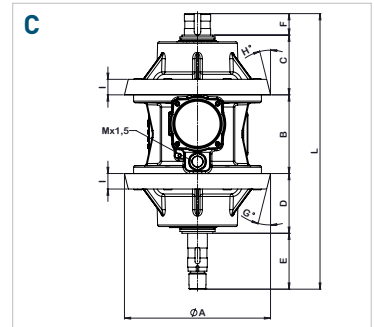
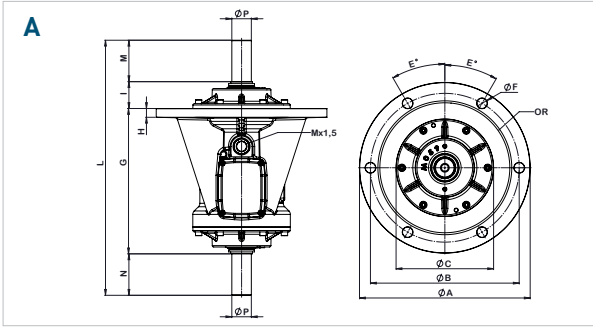




# Flanged Motivibrator I - Industrial

Flange: lateral (L), central (C), double (D) - 50Hz / 60Hz



Wm (kgcm)	Model		Poles	Centrifugal Force (kg)		UP Centrifugal Force (kg)		DOWN Centrifugal Force (kg)		rpm		Weight (kg)		ELECTRICAL SPECIFICATIONS							
				50Hz	60Hz	50Hz	60Hz	50Hz	60Hz	50Hz	60Hz	50Hz	60Hz	Input Power (kW)		Nominal Current A max. [Y]		Ia / In (Ampere)		Cable Gland	
				50Hz	60Hz	n°	50Hz	60Hz	50Hz	60Hz	50Hz	60Hz	50Hz	60Hz	50Hz	60Hz	50Hz (400V)	60Hz (460V)	50Hz	60Hz	Metric
159	110	MVE 2000/15N IL-60AF	MVE 2000/18N IL-60AF	4	1,760	1,933	880	967	880	967	1,500	1,800	38	38	1.6	1.9	3	3.2	4.9	4.9	25
159	110	MVE 2500/15N IL-70AM	MVE 2500/18N IL-70AM	4	2,469	2,523	1,234	1,262	1,234	1,262	1,500	1,800	51	51	1.8	2	3.4	3.4	6	6.1	25
159	110	MVE 3500/15N IL-75AM	MVE 3500/18N IL-75AM	4	3,696	3,555	1,848	1,777	1,848	1,777	1,500	1,800	65	65	1.9	2.3	3.7	3.8	6.5	6.6	25
159	110	MVE 2000/15N IC-60AM	MVE 2000/18N IC-60AM	4	1,760	1,933	880	967	880	967	1,500	1,800	44	44	1.6	1.9	3	3.2	4.9	4.9	25
199	138	MVE 2000/15N IC-60AN	MVE 2000/18N IC-60AN	4	1,760	1,933	880	967	880	967	1,500	1,800	45	45	1.6	1.9	3	3.2	4.9	4.9	25
199	138	MVE 2000/15N IC-60AI	MVE 2000/18N IC-60AI	4	1,760	1,933	880	967	880	967	1,500	1,800	58.5	58.5	1.6	1.9	3	3.2	4.9	4.9	25
199	138	MVE 2500/15N IC-70AM	MVE 2500/18N IC-70AM	4	2,469	2,523	1,234	1,262	1,234	1,262	1,500	1,800	56	56	1.8	2	3.4	3.4	6	6.1	25
278	193	MVE 2500/15N IC-70AO	MVE 2500/18N IC-70AO	4	2,469	2,523	1,234	1,262	1,234	1,262	1,500	1,800	60	60	1.8	2	3.4	3.4	6	6.1	25
278	193	MVE 3500/15N IC-75AX	MVE 3500/18N IC-75AX	4	3,696	3,555	1,848	1,777	1,848	1,777	1,500	1,800	69	69	1.9	2.3	3.7	3.8	6.5	6.6	25
199	138	MFE 2500/15N ID-75	MVE 2500/18N ID-75	4	2,500	2,500	1,250	1,250	1,250	1,250	1,500	1,800	67.5	67.5	1.9	2.3	3.7	3.8	6.5	6.6	25

Model		DIMENSIONAL SPECIFICATIONS (mm)																		
50Hz	60Hz	Fig.	Size	A	B	C	D	E°	F	G	H	I	L	M	N	O	P	Holes	O Ring	Mx 1,5
MVE 2000/15N IL-60AF	MVE 2000/18N IL-60AF	A	60	290	250	174	105	30	17	281.25	14	51.25	474.5	71	71	-	35	6	4850	25
MVE 2500/15N IL-70AM	MVE 2500/18N IL-70AM	A	60	350	305	260	124.5	30	21	147.75	17	184.75	474.5	71	71	23	35	6	-	25
MVE 3500/15N IL-75AM	MVE 3500/18N IL-75AM	A	60	355	315	260	124.5	45	14	147.75	17	184.75	474.5	71	71	-	35	8	-	20
MVE 2000/15N IC-60AM	MVE 2000/18N IC-60AM	B	60	315	270	235	105	45	18	147.75	17	184.75	474.5	71	71	-	35	8	-	20
MVE 2000/15N IC-60AN	MVE 2000/18N IC-60AN	B	70	350	305	200	105	30	21	298	18	55	523	85	85	-	40	6	41050	25
MVE 2000/15N IC-60AI	MVE 2000/18N IC-60AI	B	70	350	305	260	105	30	21	158	21	195	523	85	85	23	40	6	-	25
MVE 2500/15N IC-70AM	MVE 2500/18N IC-70AM	B	70	375	320	260	124.5	45	21	158	21	195	523	85	85	-	40	8	-	20
MVE 2500/15N IC-70AO	MVE 2500/18N IC-70AO	B	75	350	305	225	124.5	30	21	326	20	66	562	85	85	-	45	6	41050	25
MVE 3500/15N IC-75AX	MVE 3500/18N IC-75AX	B	75	400	355	310	124.5	30	22	186	22	206	562	85	85	15	45	6	-	25
MFE 2500/15N ID-75	MVE 2500/18N ID-75	C	75	282.3	152	115.5	115.5	108	41.5	14	14	30	532.5	-	-	-	-	-	-	25

## FLANGED MOTOVIBRATOR "I" ( IL, IC, ID )

APPLICATION	Circular vibrating machines, circular vibrating sieves.
PROBLEM SOLVING	Quick and easy installation and maintenance; grease for life.
FEATURES	
INPUT VOLTAGE	400V (50Hz) or 460V (60Hz)
AMBIENT TEMPERATURE	-20°C + 40°C
IP	66
THERMAL PROTECTION	PTC Termistor 130°C
INSULATION CLASS	F